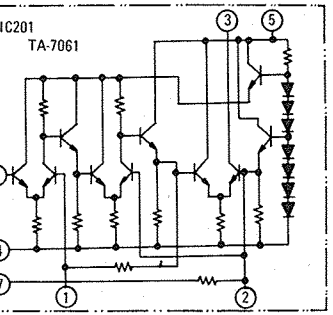
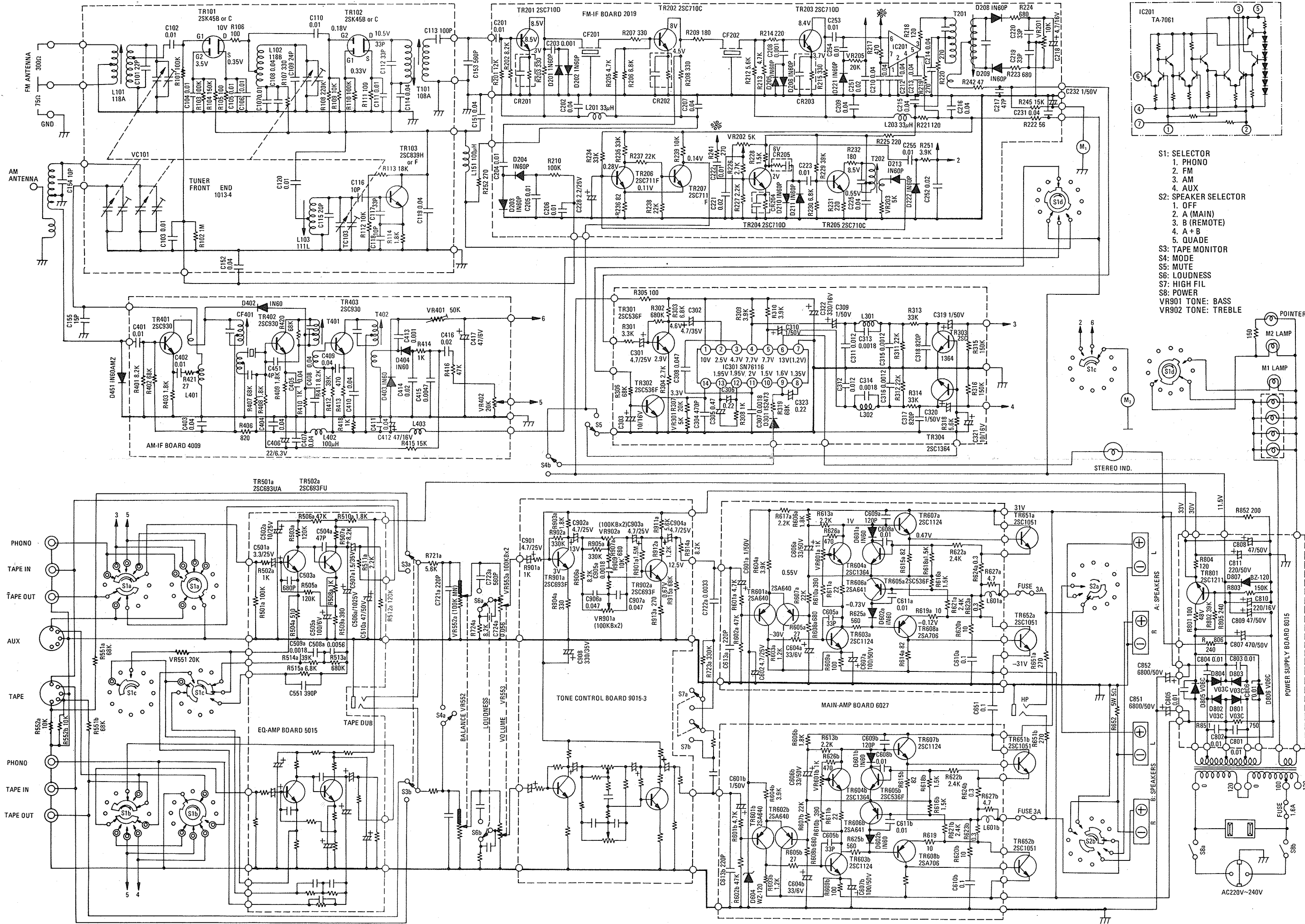


SCHEMATIC DIAGRAM

*New Acoustic Dimension
Model 140*



- S1: SELECTOR
 1. PHONO
 2. FM
 3. AM
 4. AUX
 5. QUADE
- S2: SPEAKER SELECTOR
 1. OFF
 2. A (MAIN)
 3. B (REMOTE)
 4. A + B
- S3: TAPE MONITOR
 S4: MODE
 S5: MUTE
 S6: LOUDNESS
 S7: HIGH FIL
 S8: POWER
 VR901 TONE: BASS
 VR902 TONE: TREBLE

G1	33K 45
G2	33K 41
B C E	2SC 1364
B C E	2SC 1362
B C E	2SC 710
B C E	2SC 711
B C E	2SC 1211
B C E	2SC 537
B C E	2SC 693
B C E	2SC 536
B C E	2SC 930
B C E	2SC 929
B C E	2SA 763
B C E	2SC 1222
B C E	2SA 640
B C E	2SC 839
B C E	2SC 828
B C E	2SA 666
B C E	2SC 1000
B C E	2SC 393
B C E	2SC 493
B C E	2SC 1345
B C E	2SC 1124
B C E	2SA 706
B C E	2SC 1051
B C E	2SD 188
B C E	2SD 371

SUBSTITUTE	
TR101-102	3SK37, 3SK41, 3SK35
TR103	2SC710, 2SC1047
TR201-205	2SC930, 2SC929, 2SC380
TR206-207	2SC536, 2SC1364, 2SC693
TR301-302	2SC1364, 2SC537
TR303-304	2SC711, 2SC537, 2SC536, 2SC828
TR501-502	2SC1345, 2SC1222, 2SC1000
TR601-602	2SA763, 2SA705, 2SA666, 2SA493
TR651-652	2SD188, 2SC1030, 2SD37
TR801-802	2SC1222, 2SC1000, 2SC1345

Note: 1. Resistance values are indicated in ohms unless otherwise specified (K=1,000 M=1,000,000).
 2. Capacitance values are shown in microfarads unless otherwise noted (P=micro-microfarads).
 3. Voltages are measured with respect to chassis ground.